



LUX PROFFS  
A5220/A5230/SAX



## Fire standard compliant aluminium loft ladder.

LUX PROFFS is specially designed for public buildings such as multi-home buildings, schools, industrial buildings and hospitals and meets extreme safety and performance requirements. The strong loft ladder is supplied as standard with a 3 or 4-section aluminium ladder, hatch and integrated liner of steel which complies with fire standard EI60. An aluminium scissors ladder is also available for confined spaces and areas with high ceilings. Hatches and standard ladders are available in two sizes for both models. U-value 0.61.

A product from

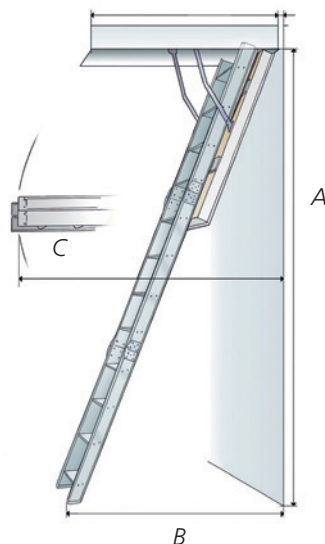


Product	Outer measurements (mm)	Inner measurements (mm)	Type of ladder	Ceiling height standard (max mm)	Insulation	U-value* (W/m <sup>2</sup> °C)	Fire standard
LUX PROFFS A5220	606 x 1136	526 x 1056	3-section aluminium	2620	50mm rockwool	0.61	EI60
LUX PROFFS A5221	606 x 1136	526 x 1056	4-section aluminium	3280	50mm rockwool	0.61	EI60
LUX PROFFS A5230	736 x 1436	656 x 1356	3-section aluminium	2620	50mm rockwool	0.61	EI60
LUX PROFFS A5231	736 x 1436	656 x 1356	4-section aluminium	3280	50mm rockwool	0.61	EI60
LUX PROFFS SAX	636 x 836	556 x 756	aluminium	<2500-3400	50mm rockwool	0.61	EI60
LUX PROFFS SAX	606 x 1136	526 x 1056	aluminium	<2500-3400	50mm rockwool	0.61	EI60

Guaranteed load of up to 150kg for all models. For scissors ladders, the ceiling height is specified when ordered. Heights can be adjusted for by adding or removing ladder sections. The top and bottom section can, however, not be removed. The measurements of the opening in the ceiling construction are 15-20mm larger than the specified outer measurements.

### LUX PROFFS loft ladder

Supplied ready to fit with frame and liner, a powder coated hatch of 1.25mm steel on both sides and a sealing strip between the hatch door and frame. Insulation and liner complies with fire standard EI60. ASSA 565 lock case. The lock is prepared for a cylinder lock and is supplied with a 800mm key. A hatch holder and an extra long key are provided for hatch heights of more than 3000mm.



### The ladder's position on the floor in the extended position for different ceiling heights in millimetres:

A: Ceiling height	B: Position on floor	C: Corridor measurements
2400	1340	1630
2500	1395	1630
2620	1460	1630
3280	1710	1730



\* select a scissors (SAX) ladder for measurements less than above

### Accessories

1. Aluminium, 3-section extension.  
Applies to ceiling heights 2620-3280mm.
2. Guard rail in wood. For openings up to 700 x 1300mm.
3. Key/operation rod 1050mm.